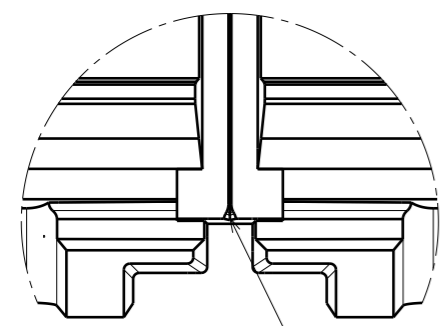
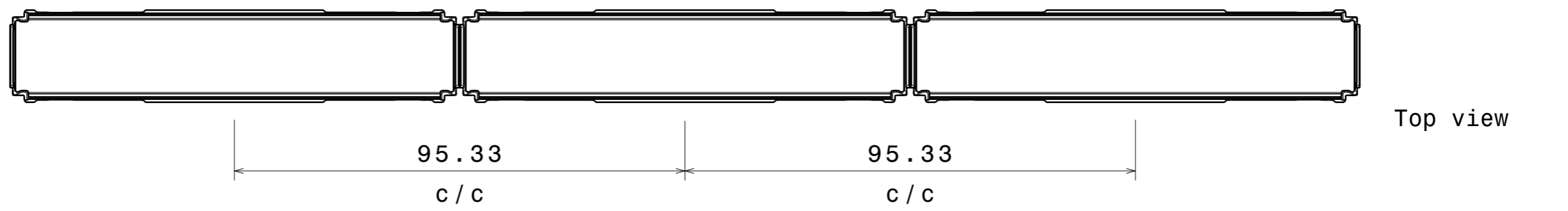
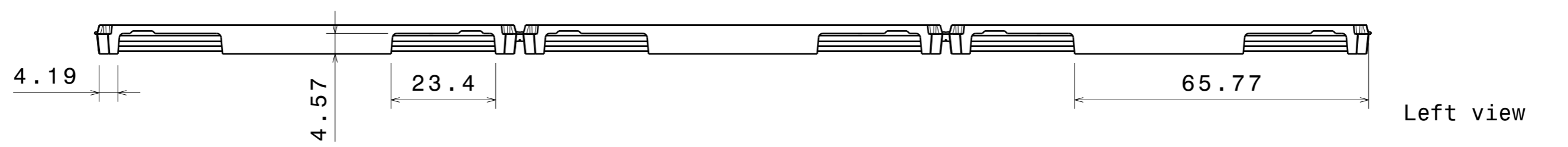
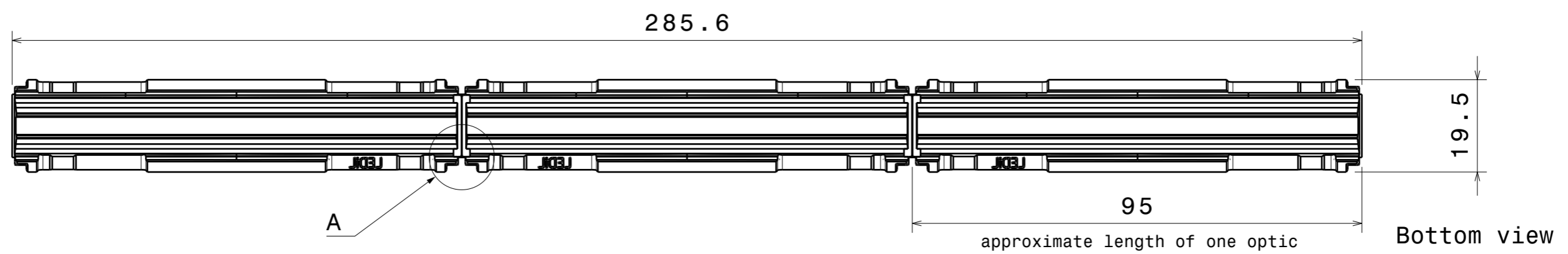
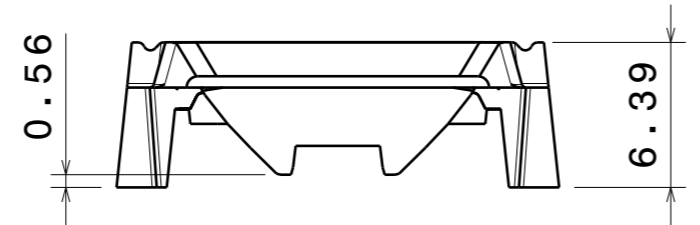


H G F E D C B A



Detail A
Scale: 4:1

Snapping point *



Front view
Scale: 3:1

* Optics can be snapped along this line and used also as single parts.

Tolerances if not otherwise shown
According to DIN ISO 2768-1
Linear measures:
Up to 30mm class M, otherwise class C
According to DIN ISO 2768-2
Form and position: class L

THIRD ANGLE PROJECTION:

This drawing is the property of LEDiL Oy. It may not be reproduced, copied or communicated without a written agreement with LEDiL Oy.

INDEX	PART NO	DESCRIPTION	MATERIAL	COLOUR
1	C14530	FLORENCE - 1R - Z2T25	PMMA	clear
		LediL Oy Salorankatu 10 FIN 24240 SALO Finland		
		DRAWING TITLE C14530_FLORENCE - 1R - Z2T25		
SIZE		PART NUMBER		
A3		C14530		
SCALE	1:1	WEIGHT	21,58 g	SHEET 1/1

H G B A